

ONE-BOX DOLLHOUSE

MANY BOX APARTMENT BUILDING

Using just one medium- to large-size corrugated box, you can build a four-room, single-family dollhouse complete with an attic for storage and a large gable roof. With three or more medium-size boxes, you get a multiunit, multistory, dollhouse apartment building with lots of indoor rooms and several outdoor balconies. And the construction is so simple that you could build a whole village of houses or maybe a skyscraper city. Just remember that once construction is complete, you may have to paint the buildings, decorate the walls, and furnish the rooms before your doll family moves in.

Construction

Building system

Corrugated Cardboard Carpentry
(slotting and taping)

Builder's age

9+ (younger with an adult doing
the cutting)

Player's age

2+

Materials

- One or more complete corrugated boxes, medium- to large-size with double flaps on the large sides



- Kraft packaging tape or 2" masking tape

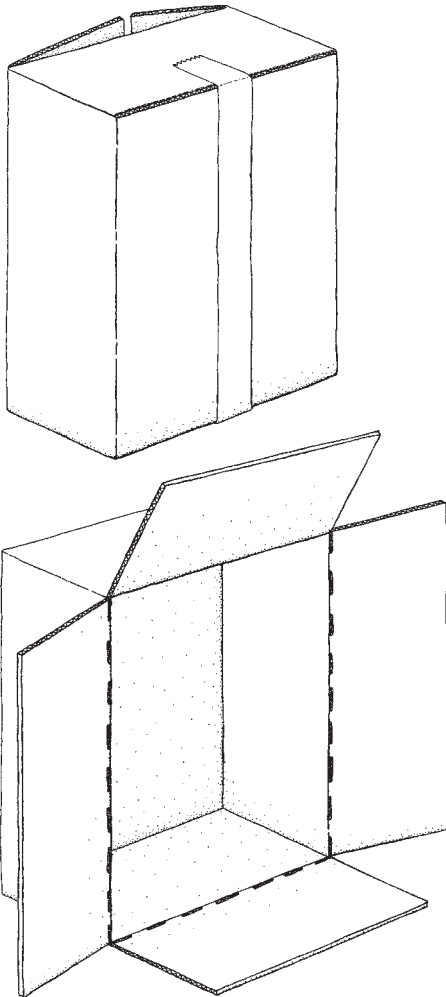
Tools

- Carpenter's square
- Pencil
- Mat knife or utility knife

Building instructions

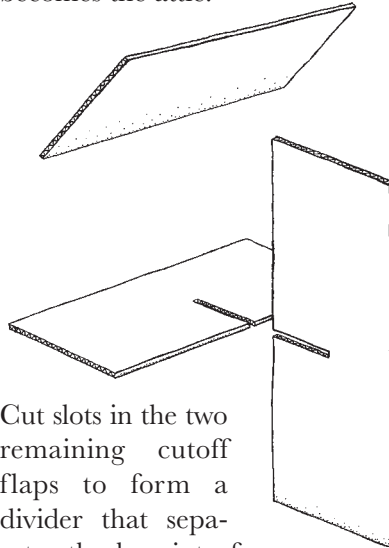
Making a one-family dollhouse

Find one complete corrugated box that isn't too deep. Keep the flaps on one end folded and taped closed.



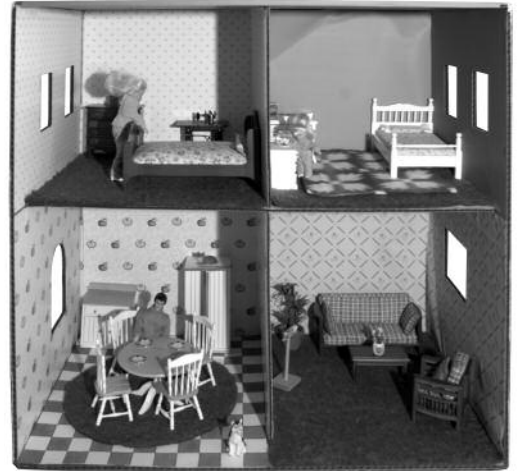
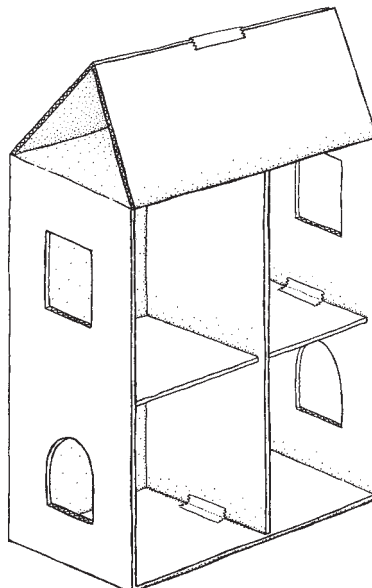
Open all four flaps on the other end and carefully cut off three of them. The flap you leave remaining will determine which side of the box will become the attic and the roof. Now stand the box on its side so the roof is on top.

Complete the gable roof by taping the matching cutoff flap to the remaining box flap. Tape the other long edge to the back of the box to form an inverted "V." The triangular space under the gable roof becomes the attic.



Cut slots in the two remaining cutoff flaps to form a divider that separates the box into four rooms. You can offset the slots so the rooms are different sizes. When the slotted partition is in place with its wall vertical and the second-story floor horizontal, tape the ends to the inside walls of the box. And if you want a window anywhere in any room, just draw it first, then cut it out.

The way you decorate and furnish your dollhouse is up to you. Be as



elaborate as you wish with painted outside walls and wallpapered inside walls, or maybe just leave the walls unfinished and let your imagination add what's needed.

Building a multiunit apartment building

Find three or more complete medium-size corrugated boxes that are not too deep. They do not all need to be the same size or depth.

For each box, keep the flaps on one end folded and taped closed, and cut all four flaps off the other end.

Now stack the boxes in a tower, one on top the other, with the openings facing out either all in the same direction or any way you want each apartment to face. If you're stacking a smaller box on top of a larger box, you can create terraces. By slipping a few of the cutoff flaps between stacked boxes, you can create cantilevered balconies. Also, use the cutoff flaps to make a roof, which could be a simple gable design or something more elaborate. And with the remaining cutoff flaps, you can make space dividers to give each apartment a few rooms.

When you get the structure stacked and arranged just right, tape everything together. Kraft packaging tape will make the strongest structure, but masking tape is much faster and easier to use.